

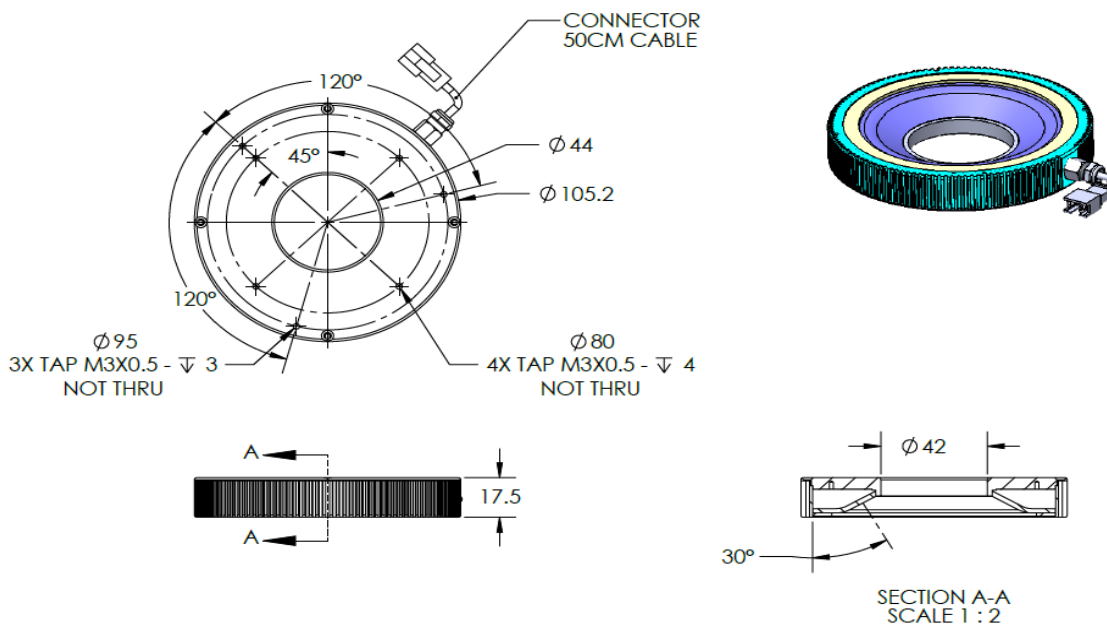


OPTO ENGINEERING

# ILLUMINATOR DATA

## LT4RTF130-30-1-W-24V

### Lighting Dimension



ROHS COMPLIANT CE

### Mechanical Information

Casing Material	Aluminium
Storage Temperature Range	0 - 45°C
Storage Humidity Range	20 - 85%
Weight	355 g
Length / Outer Diameter	131.5 mm
Width / Inner Diameter	66 mm
Thickness / Height	17.5 mm



OPTO ENGINEERING

# ILLUMINATOR DATA

## LT4RTF130-30-1-W-24V

Lighting Information																							
Part Number	LT4RTF130-30-1-W-24V																						
LED Color	WHITE																						
Wavelength	REFER TO CHROMACITY TABLE																						
Working Distance	57 mm	68 mm	85 mm																				
Intensity (±15%)	20476 lx	17409 lx	13348 lx																				
Illumination (number of row)	1																						
Illumination Active Area	Active Length / Outer Dia.	121.3 mm																					
	Active Width / Inner Dia.	62 mm																					
Emission angle	30																						
Eye Safety Class ( IEC62471 )	EXEMPT																						
Chromaticity Table For White colour only	<table border="1"> <tr> <td>X</td> <td>0.296</td> <td>0.287</td> <td>0.307</td> <td>0.311</td> </tr> <tr> <td>Y</td> <td>0.276</td> <td>0.295</td> <td>0.315</td> <td>0.294</td> </tr> </table>	X	0.296	0.287	0.307	0.311	Y	0.276	0.295	0.315	0.294	<table border="1"> <tr> <td>X</td> <td>0.311</td> <td>0.307</td> <td>0.33</td> <td>0.33</td> </tr> <tr> <td>Y</td> <td>0.294</td> <td>0.315</td> <td>0.339</td> <td>0.318</td> </tr> </table>	X	0.311	0.307	0.33	0.33	Y	0.294	0.315	0.339	0.318	
X	0.296	0.287	0.307	0.311																			
Y	0.276	0.295	0.315	0.294																			
X	0.311	0.307	0.33	0.33																			
Y	0.294	0.315	0.339	0.318																			

Electrical Information	
Rated Constant Voltage	24V±2%
Rated Constant Current	299 mA
Power Consumption	7.18 W
Casing temperature, After 60 minutes operation	53 °C

Strobe Mode Specification	
*Normal Strobe Voltage	24 V
*Normal Strobe Current	300 mA
Overdrive Voltage Range	Min: 36V      Max: 48V
Overdrive Current Range	Min: 6.9 A      Max: 6.9 A
Recommended Overdrive Voltage	36V
**Max. Trigger Pulse Duration	10 msec
**Max. Duty Cycle	10%

\*Normal strobe means the lighting is operated using the rated power. Overdrive means the power supplied to the lighting exceeded the rated power.

\*\*Overdrive condition must not exceed the max. trigger pulse duration and max. duty cycle.

# ILLUMINATOR DATA

## LT4RTF130-30-1-W-24V

Connection Information			
Connector Type (Default)	JST SMR-03V		
Cable Length	50 cm		
Pin Configuration  	Pin	Signal	Cable Colour
	1	LED +	Red
	2	N.C	-
	3	LED -	White
			

Additional Information	
Additional Cooling Method	Attached to machine part for better heat dissipation
Intensity Controller Selection	SD, ST, ANG, LC, SDA, SDP series
CE Conformity	YES
RoHS Compliance	YES

Application	
Illumination Type	Diffused Illumination
Application Use	Printed Character on IC Chips, PCB Components Inspection, Printing on Caps and Wafer OCR Inspection.



OPTO ENGINEERING

# ILLUMINATOR DATA

## LT4RTF130-30-1-W-24V

Lighting Pattern				
Working Distance	For further details please contact us.			
Display and Image				
Data Results	Horizontal	Meas.(mm)	Vertical	Meas.(mm)
	90%		90%	
	80%		80%	
	70%		70%	
	60%		60%	
	50%		50%	
	40%		40%	
	30%		30%	
	20%		20%	
	10%		10%	